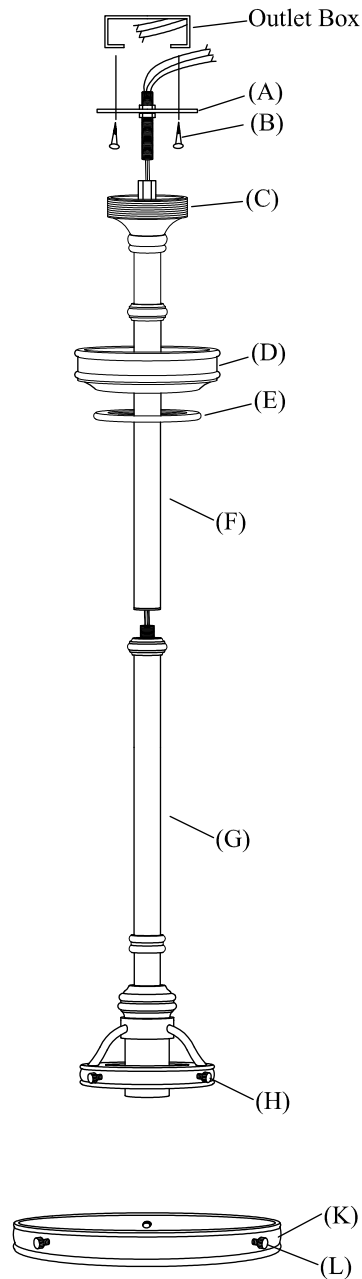


# CHC5132

## ASSEMBLY & INSTALLATION GUIDE



**WE RECOMMEND INSTALLATION OF THIS LIGHTING FIXTURE BE DONE BY A LICENSED ELECTRICIAN.**

**WARNING \*\*\* SWITCH OFF THE MAIN ELECTRICAL SUPPLY FROM THE MAIN FUSE BOX/CIRCUIT BREAKER BEFORE INSTALLATION.**

**INSPECT ITEM CAREFULLY BEFORE ATTEMPTING TO INSTALL. IF THERE IS ANY DAMAGE OR OBVIOUS DEFECT, DO NOT INSTALL.**

**ITEM MAY NOT BE RETURNED ONCE IT HAS BEEN INSTALLED.**

1. Remove mounting strap with threaded rod (A) from mounting loop (C).
  2. Thread top nipple of pole (G) into bottom threaded opening of pole (F).
  3. Attach mounting strap (A) to outlet box with screws (B) provided.
  4. Connect the hot wires from the fixture (SMOOTH) to the hot outlet box wire from the outlet box (usually BLACK). Fasten them together with a plastic wire connector provided and wrap connection with electrical tape.
  5. Repeat this procedure for the RIBBED neutral wires from the light fixture to the wire from the outlet box (usually WHITE).
  6. Connect the ground wire from the light fixture (bare copper) to the ground wire from the outlet box (usually green or bare copper).
  7. Thread mounting loop (C) onto threaded rod attached to mounting strap (A).
  8. Slip canopy base (D) to ceiling and secure with canopy ring (E).
  9. Insert light bulb into socket.
  10. Loosen screws (H), then insert bottom of glass shade (not included) to the lamp fixture (G) and tighten with screws (H).
  11. Loosen screws (L), then attach brass ring (K) to top of glass shade (J), and tighten with screws (L).
- \*\*\*\*\*MAKE SURE SCREWS ARE SECURELY FASTENED. FAILURE TO TIGHTEN SCREWS PROPERLY MAY RESULT IN DAMAGE TO FIXTURE