

LF3-TR



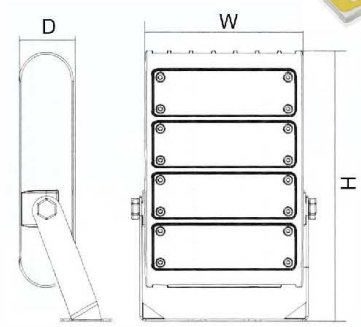
LF3-220-TR
LF3-300-TR

TECHNICAL SPECIFICATIONS:

- :: Housing: Die-cast aluminum housing with powder coat finish (Dark Bronze or White)
- :: Philips Lumileds Lexeon 3030 high flux LED
- :: TIR optic lens - TYPE II (TYPE III & IV by request)
- :: 18" SJTW 18/3 AWG cable
- :: Voltage: 120~277V; 60Hz AC
- :: Operating Temp:-4°F to 104°F
- :: Up to 110 lumens per watt
- :: CRI: 82~84
- :: Beam Angle: 104°
- :: 70,000 hour rated life
- :: 7-year warranty
- :: Suitable for Wet Locations, IP65
- :: Solid state lighting technology for long life, no maintenance needed and high-efficiency
- :: 1/2" HUB for photocell or sensor installation

APPLICATIONS:

- :: Ideal for general site lighting, alleys, loading docks, doorway, pathway and parking areas.
- :: Replace existing HID flood lights/ wall packs
- :: Great for use with motion sensors or other instant on/off controls



LF3 FLOOD LIGHT SERIES WITH TRUNNION

CATALOG NO.	WATTS	LUMENS	COLOR TEMP	REPLACEMENT RANGE	DIMENSIONS
LF3-220CW-TR	220W	25000LM	5000K	350~400 MH	12-1/2"(W) x 20"(H) x 2-3/4"(D)
LF3-220WW-TR	220W	22000LM	3000K	350~400 MH	
LF3-300CW-TR	300W	33000LM	5000K	1000 MH	
LF3-300WW-TR	300W	30800LM	3000K	1000 MH	
LF3-PK	Photocell Kit for LF3 series, Field installed				

